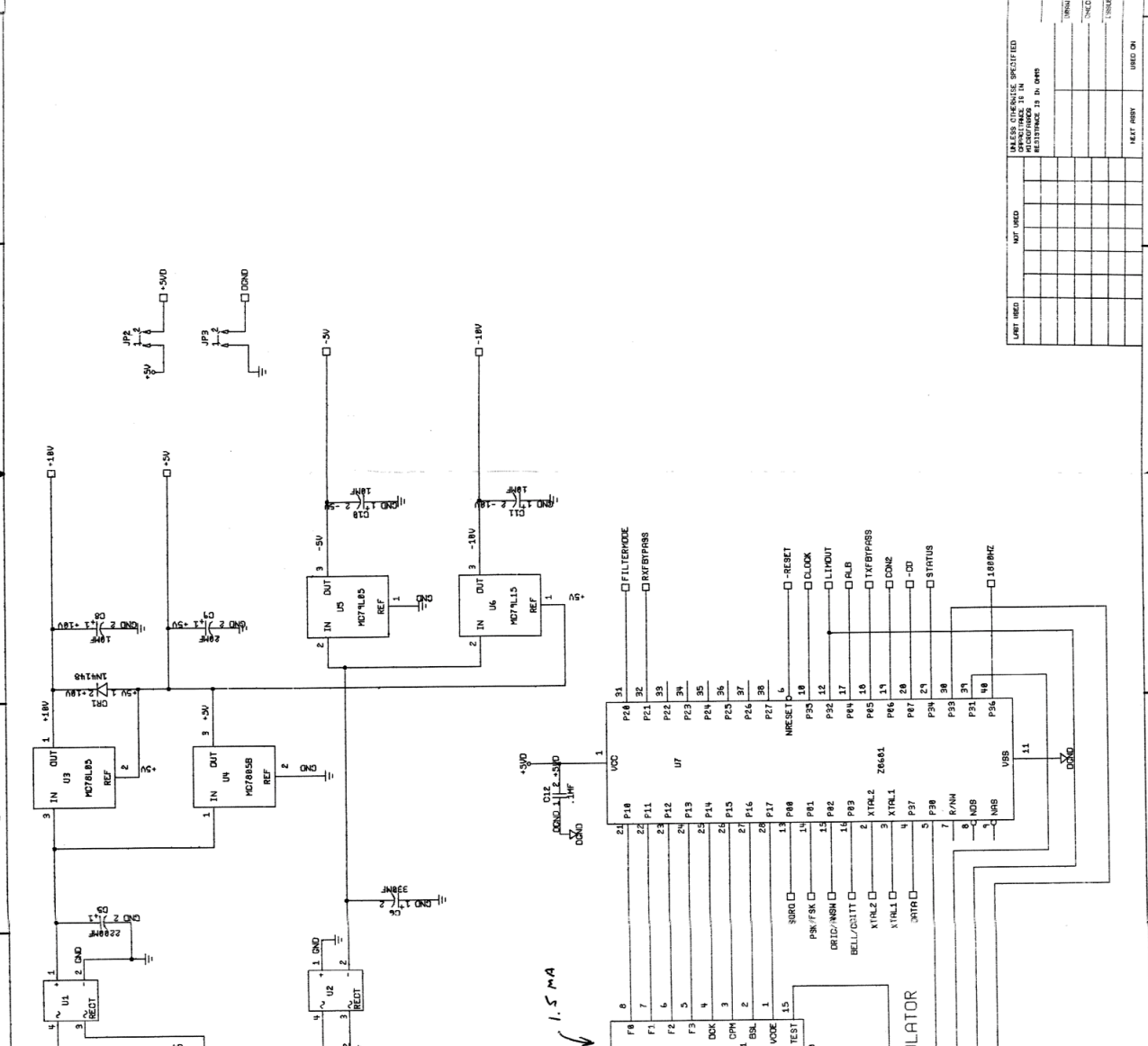


REV	DESCRIPTION	DATE	APPROVED



POWER SUPPLY

1.5 MA

CONFIDENTIAL INFORMATION
 THIS SCHEMATIC IS THE PROPERTY OF HARTER MICROCOMPUTER PRODUCTS INC. AND IS NOT TO BE REPRODUCED OR TRANSMITTED IN ANY FORM OR BY ANY MEANS, ELECTRONIC OR MECHANICAL, INCLUDING PHOTOCOPYING, RECORDING, OR BY ANY INFORMATION STORAGE AND RETRIEVAL SYSTEM. ANY UNAUTHORIZED REPRODUCTION OR TRANSMISSION OF THIS SCHEMATIC IS STRICTLY PROHIBITED AND WILL BE PROSECUTED TO THE FULL EXTENT OF THE LAW.

HARTER MICROCOMPUTER PRODUCTS INC. 1000 PINE BLVD., WASHINGTON, D.C. 20004	
PROJECT 15	
DATE: 07-00026-07	REV: 1 OF 3

UNIT USED	QUANTITY	DESCRIPTION	DATE

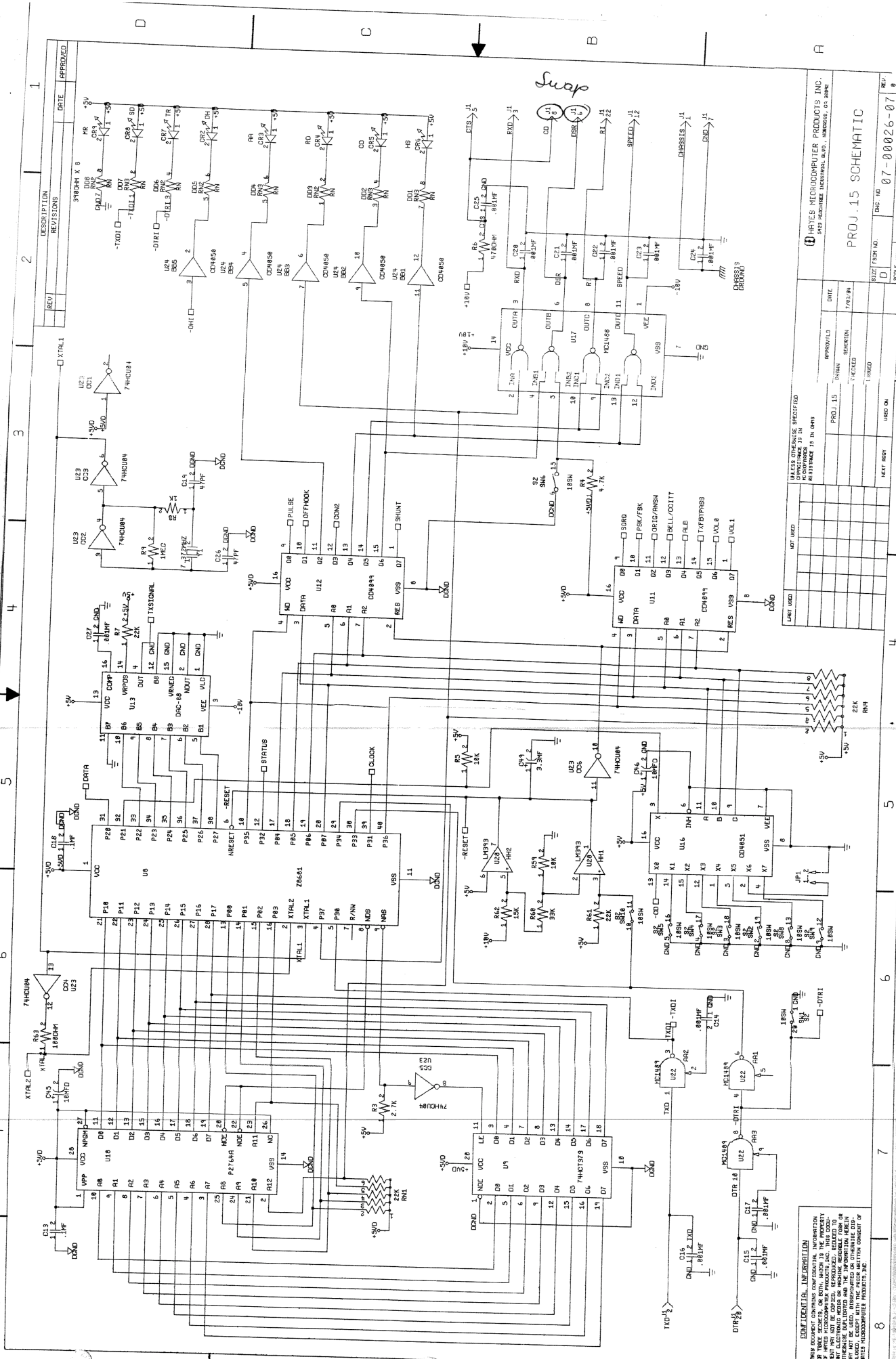
UNLESS OTHERWISE SPECIFIED	UNLESS OTHERWISE SPECIFIED
RESISTANCE IN OHMS	RESISTANCE IN OHMS
CAPACITANCE IN P.F.	CAPACITANCE IN P.F.
INDUCTIVE IN H.	INDUCTIVE IN H.
TEMPERATURE IN °C	TEMPERATURE IN °C

APPROVALS	DATE

SCALE	DATE	REV

1 2 3 4 5 6 7 8

1 2 3 4 5 6 7 8

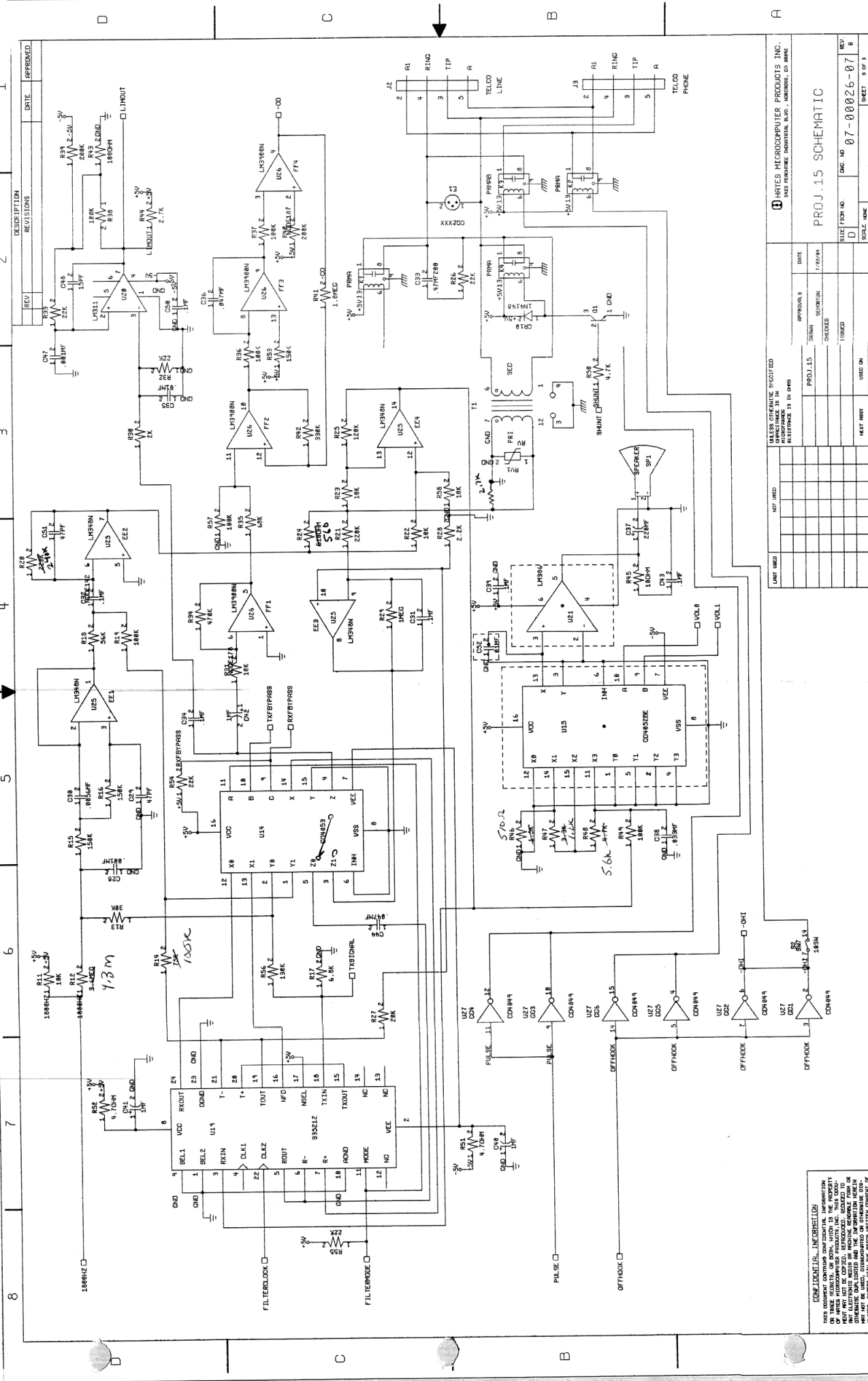


REV	DESCRIPTION	DATE	APPROVED
1	3/20/84 X 8		

HARRIS MICROCOMPUTER PRODUCTS INC.
 1525 BROADWAY, BOSTON, MASS. 02108
 PROJ. 15 SCHEMATIC
 SIZE: 8 1/2" X 11" DATE: 07-00026-07 REV: 8
 SCALE: NONE

APPROVALS	DATE
DESIGNED	
CHECKED	
TESTED	
ASSEMBLED	
USED ON	
NEXT REV	

CONFIDENTIAL INFORMATION
 THIS DOCUMENT CONTAINS CONFIDENTIAL INFORMATION OF HARRIS MICROCOMPUTER PRODUCTS INC. THIS DOCUMENT IS UNCLASSIFIED AND IS BEING RELEASED FOR INFORMATIONAL PURPOSES ONLY. IT IS THE POLICY OF HARRIS MICROCOMPUTER PRODUCTS INC. TO MAKE THIS DOCUMENT AVAILABLE TO THE PUBLIC WITHOUT FURTHER COMMENT OF HARRIS MICROCOMPUTER PRODUCTS INC.



CONSTRUCTION INFORMATION
 THIS DOCUMENT CONTAINS CONFIDENTIAL INFORMATION
 OF HAYES MICROCOMPUTER PRODUCTS, INC. IT IS THE PROPERTY
 OF HAYES MICROCOMPUTER PRODUCTS, INC. IT IS TO BE USED
 ONLY FOR THE PURPOSES SPECIFIED HEREIN. IT IS NOT TO BE
 REPRODUCED, COPIED, OR TRANSMITTED IN ANY FORM OR
 BY ANY MEANS, ELECTRONIC OR MECHANICAL, INCLUDING
 PHOTOCOPYING, RECORDING, OR BY ANY INFORMATION
 STORAGE AND RETRIEVAL SYSTEM, WITHOUT THE WRITTEN
 PERMISSION OF HAYES MICROCOMPUTER PRODUCTS, INC.

HAYES MICROCOMPUTER PRODUCTS, INC.
 5425 PROGRESS INDUSTRIAL BLVD., HANDBURGH, CO 80640

PROJECT 15
 APPROVAL DATE
 DESIGNER
 CHECKED
 USED IN
 NEXT REVISION

WALKER OPERATE RECOGNIZED
 OPERATIONAL IN IN
 RESISTANCE IN GND

NOT USED
 USED

PROJECT 15
 APPROVAL DATE
 DESIGNER
 CHECKED
 USED IN
 NEXT REVISION

WALKER OPERATE RECOGNIZED
 OPERATIONAL IN IN
 RESISTANCE IN GND

NOT USED
 USED

CONSTRUCTION INFORMATION
 THIS DOCUMENT CONTAINS CONFIDENTIAL INFORMATION
 OF HAYES MICROCOMPUTER PRODUCTS, INC. IT IS THE PROPERTY
 OF HAYES MICROCOMPUTER PRODUCTS, INC. IT IS TO BE USED
 ONLY FOR THE PURPOSES SPECIFIED HEREIN. IT IS NOT TO BE
 REPRODUCED, COPIED, OR TRANSMITTED IN ANY FORM OR
 BY ANY MEANS, ELECTRONIC OR MECHANICAL, INCLUDING
 PHOTOCOPYING, RECORDING, OR BY ANY INFORMATION
 STORAGE AND RETRIEVAL SYSTEM, WITHOUT THE WRITTEN
 PERMISSION OF HAYES MICROCOMPUTER PRODUCTS, INC.

PROJ. 15 SCHEMATIC

SHEET 3 OF 3
 REV. 07-00026-07 B

DATE
 1/7/81

DATE
 1/7/81

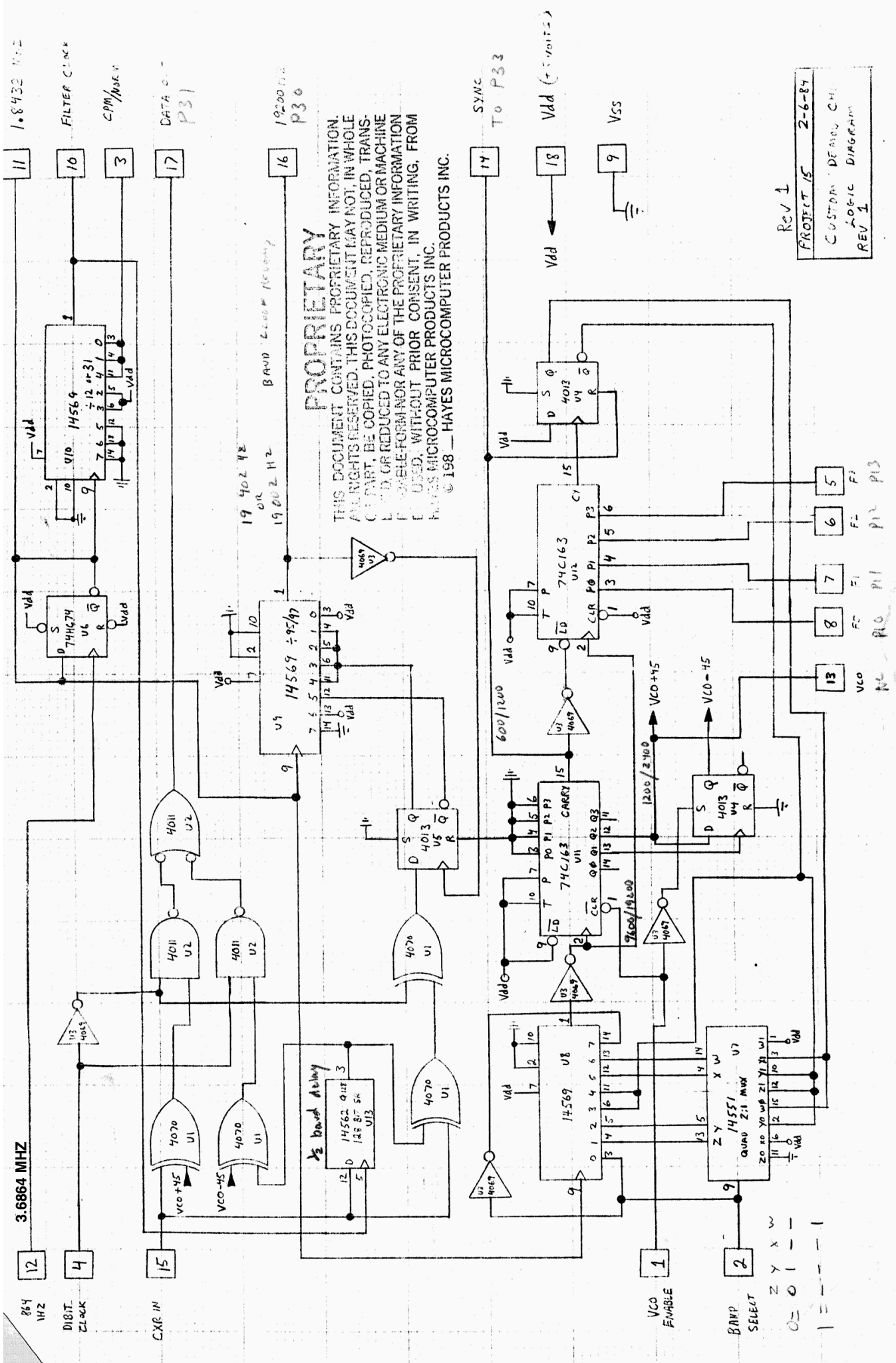
DATE
 1/7/81

DATE
 1/7/81

DATE
 1/7/81

DATE
 1/7/81

DATE
 1/7/81



PROPRIETARY
 THIS DOCUMENT CONTAINS PROPRIETARY INFORMATION.
 ALL RIGHTS RESERVED. THIS DOCUMENT MAY NOT, IN WHOLE
 OR IN PART, BE COPIED, PHOTOCOPIED, REPRODUCED, TRANS-
 Mitted, OR REDUCED TO ANY ELECTRONIC MEDIUM OR MACHINE-
 READABLE FORM, WITHOUT PRIOR CONSENT, IN WRITING, FROM
 HAYES MICROCOMPUTER PRODUCTS INC.
 © 1981 HAYES MICROCOMPUTER PRODUCTS INC.

PROJECT 15 2-6-84
 CUSTOM DESIGN CHIP
 LOGIC DIAGRAM
 REV 1

VCO ENABLE
 BAND SELECT
 Z=0 Y=X W=1

VCO
 P0 P1 P2 P15
 P3
 P2
 P1

14
 SYNC
 To P33
 18
 Vdd
 9
 VSS

11
 1.8432 MHz
 10
 FILTER CLOCK
 3
 CPM/MASK
 17
 DATA OUT
 P31

16
 19.200 MHz
 P30

19
 40.2 MHz
 OR
 19.200 MHz
 BAND SELECT

12
 3.6864 MHz

4
 DIGIT. CLOCK

15
 CXR IN

1
 VCO ENABLE

2
 BAND SELECT

13
 VCO

5
 P3

6
 P2

7
 P1

8
 P0

13
 VCO

13
 VCO

13
 VCO

13
 VCO

13
 VCO

13
 VCO

13
 VCO

13
 VCO

13
 VCO

13
 VCO

13
 VCO

13
 VCO

13
 VCO

13
 VCO

13
 VCO

13
 VCO

13
 VCO

13
 VCO

13
 VCO

13
 VCO

13
 VCO

13
 VCO

13
 VCO

13
 VCO

13
 VCO

13
 VCO